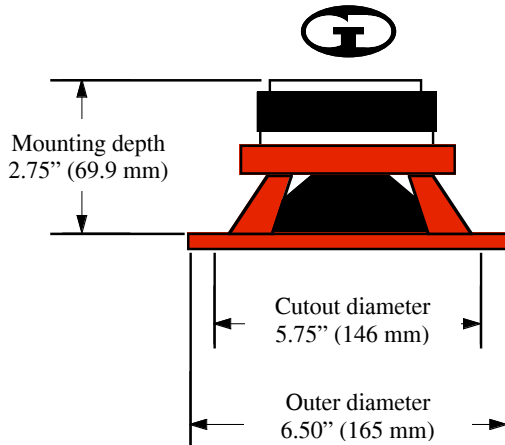
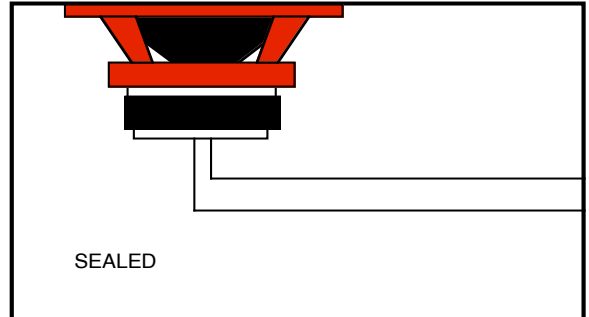


Specifications

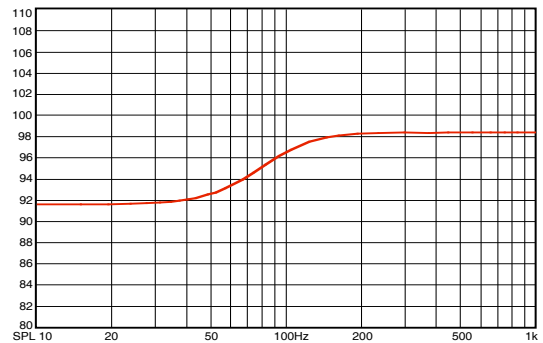
Diameter: 6.5" (170mm)
Sensitivity: 90.4 dB
Power Handling: 70 Wrms (120W pk)
Frequency Response: 70 ~ 5000 hz
Nominal Impedance: 4 Ohms
Voice Coil Diameter: 1.0" (26mm)
Dimensions:



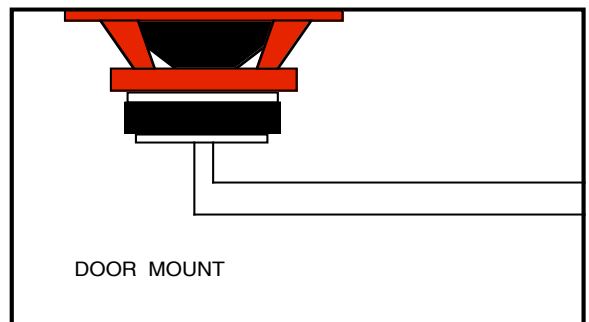
**Box Volume = 0.4 cu. Ft.
(11.3 liters) sealed**



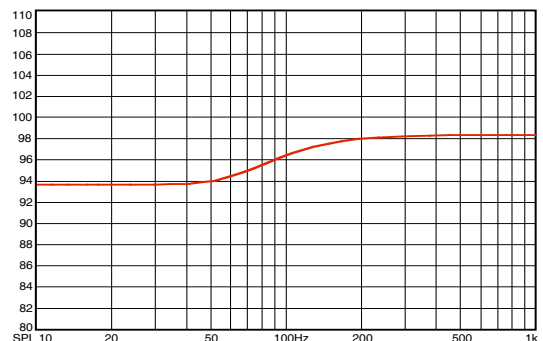
**Sealed Box
Frequency response @ 10 Watts**



**Door Volume = 1.0cu. Ft.
(28.35 liters)**



**Door Mount
Frequency Response @ 10 Watts**



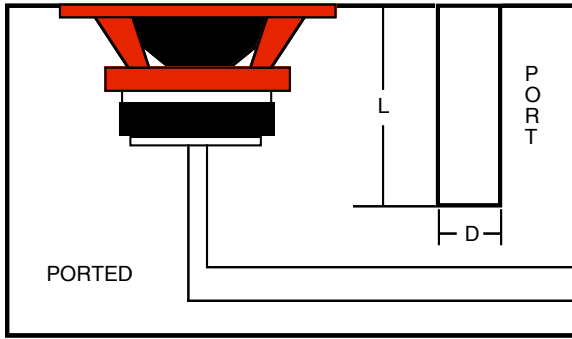
Thiele-Small Paramters

Free Air Resonance: 77.6 Hz
Voice Coil DC Resistance: 3.10 ohms
Voice Coil Inductance @ 1 kHz: 0.38 mH
Mechanical Q (Q_{ms}): 4.24
Electrical Q (Q_{es}): 0.68
Total Q (Q_{ts}): 0.58
Compliance Volume (V_{as}): 6.59 l
 0.232 ft³
Moving mass, Diaphragm: 15.81 Gr
Driver Radiating Area (S_d): 133 cm²
 20.65 in²
Motor Force Factor: 5.85 Tm

Note:

All sealed boxes greater than 0.4 cubic feet are allowable but with altered bass response. Optimally small setup for bass in a medium size cab is shown here.

Box Volume = 0.40 cu. Ft. (11.3 liters)
Tuned to 50hZ Port =2.0”d x 7.0”l



Ported Box

Frequency Response @ 10 Watts

