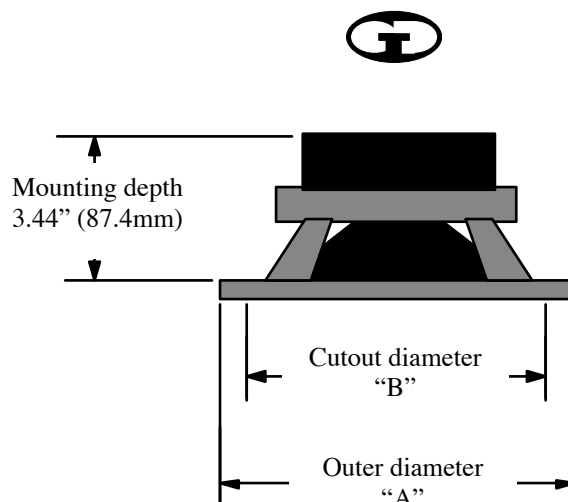


Specifications

Diameter:	6X9" (150X225mm)
Sensitivity:	86.1dB
Power Handling:	125 WRMS (250W Pk)
Frequency Response:	47 ~ 2,500 Hz
Nominal Impedance:	4 Ohms
Voice Coil Diameter:	1.5" (38.1mm)
Peak Xmax:	14mm
Magnet Weight:	30oz
Surround	Rubber
Frame	Black Steel
Cone	Carbon Fiber

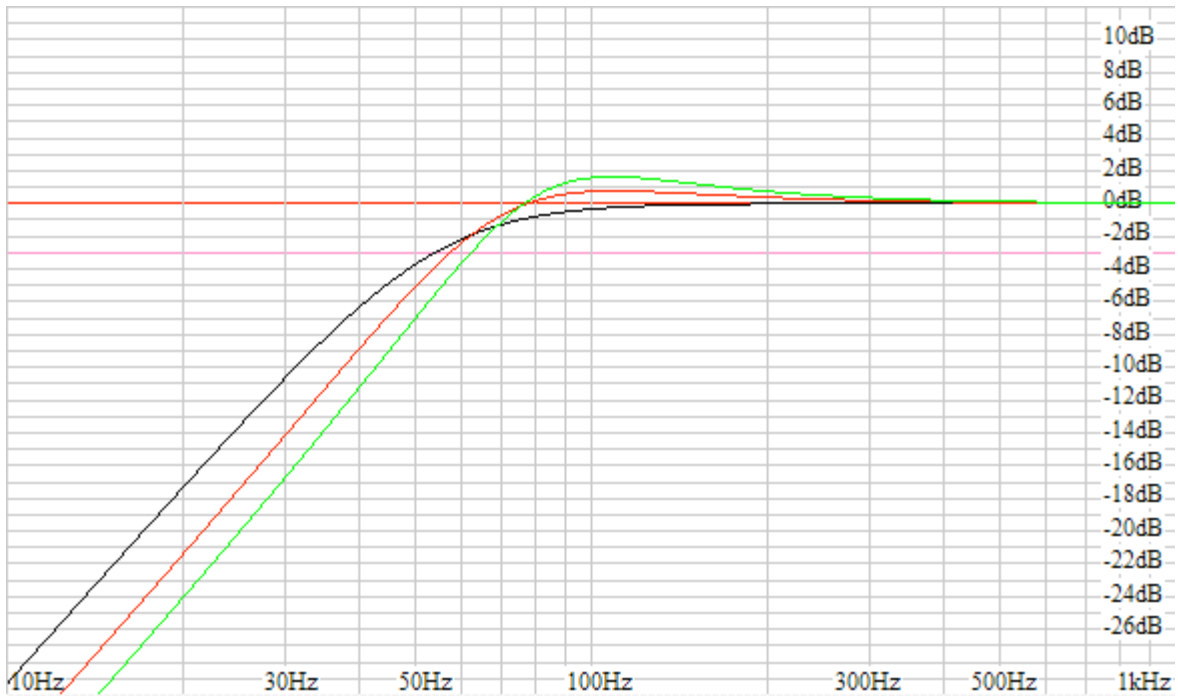
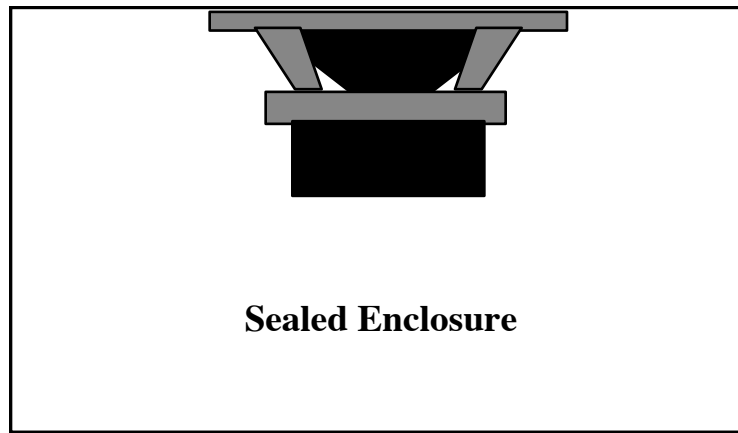


Cutout diameter is an ellipse with a 6.25"X8.75" (158.75X 222.25mm), hole.

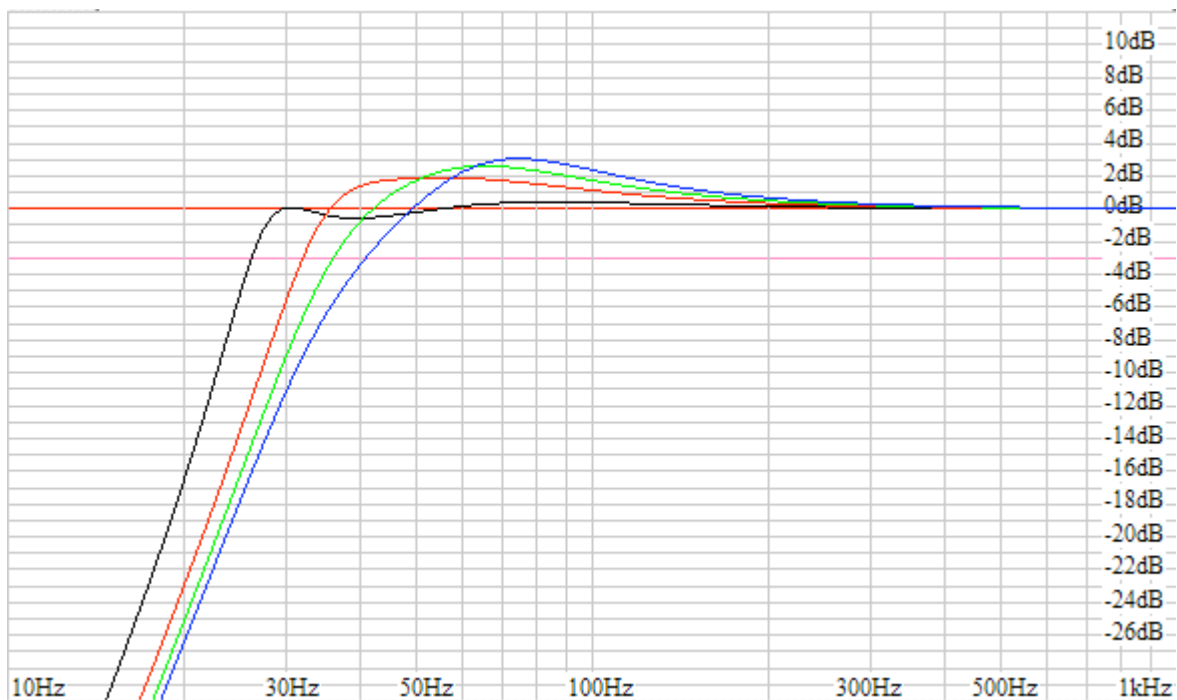
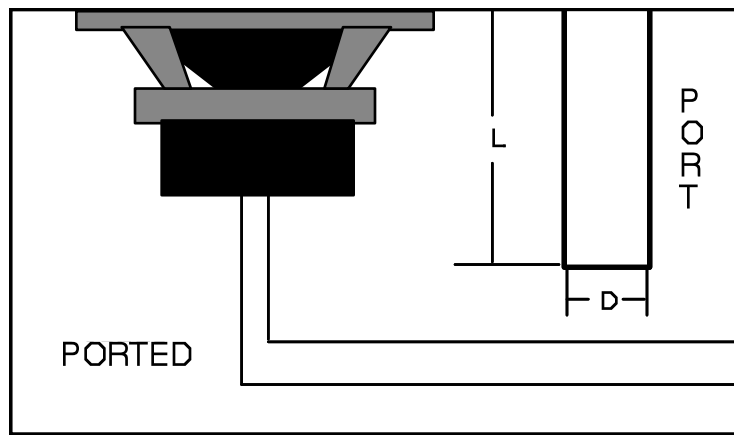
Outer diameter is an oval with 4 punched ears which allow the screw holes to fall on the outer diameter of 6.75"X9.25" (171.45X234.95mm) and on a rectangle of 4.87"X6.5" (123.7X165.1mm).

Thiele-Small Parameters

Free Air Resonance:	47.1 Hz
Voice Coil DC Resistance:	3.98 ohms
Voice Coil Inductance @ 1 kHz:	1.01 mH
Mechanical Q (Q_{ms}):	8.581
Electrical Q (Q_{es}):	0.666
Total Q (Q_{ts}):	0.618
Compliance Volume (V_{as}):	16.77L; 0.592 ft³
Moving mass, Diaphragm:	42.26Gr
Motor Force Factor:	8.64Tm



**Sealed Box Responses for different sealed box volumes:
Qt = 0.71 black, 1.9 cubic feet; 0.91 red, 0.5 cubic feet and 1.07
green, 0.3 cubic feet.**



**Ported Box responses for selected cubic feet (cft.) volumes:
 Black=2.4cft. Red=1.5cft. Green=1.0cft. Blue=0.7cft. All ports are 3" dia.**

Tuned frequency and port length are as follows:

Black = 30Hz and 6.45" long.

Red = 38Hz and 6.43" long.

Green = 42Hz and 8.39" long.

Blue = 45Hz and 10.98" long.

Responses are into half space - not cabin corrected