



c d t a u d i o

let the music begin

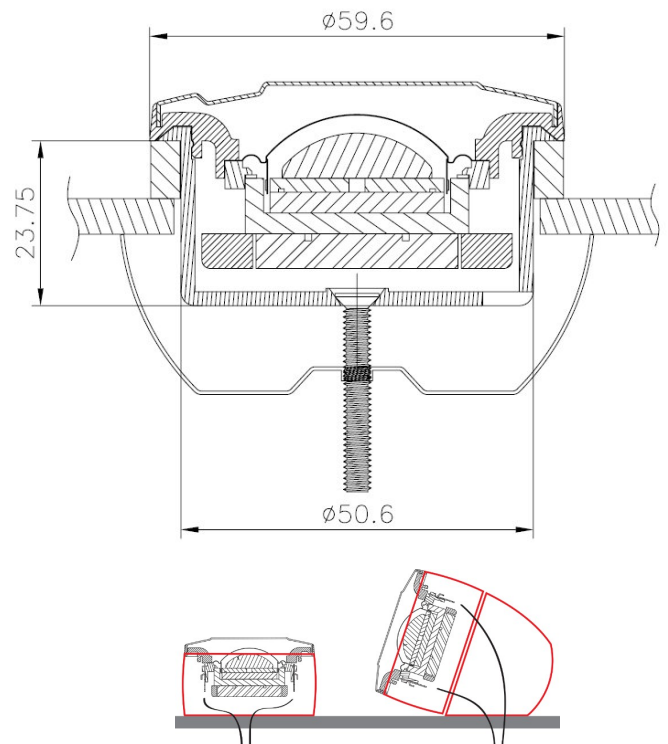
ES-1200iS 1.0" Tweeter
Technical Data



Model ES-1200iS Transparent Silk

Specifications

Diameter:	1.0" (25mm)
Sensitivity:	92dB
Power Handling:	50W; 100W Max 400W Short Term Max
Frequency Response:	2,000~ 50,000 Hz
Nominal Impedance:	6 Ohms
Voice Coil Diameter:	26mm
Xmax:	0.3mm
Magnet Weight:	NEO
Surround	Integral
Frame	Quick mount Cup
Dome	Transparent Silk
Mounting Hole:	2.0"
Outside Diameter:	2.35"
Mounting Depth:	0.935" in cup



Thiele-Small Parameters

Free Air Resonance:	1500 Hz
Voice Coil DC Resistance:	4.6 ohms
Voice Coil Inductance @ 1 kHz:	0.05 mH
Mechanical Q (Q_{ms}):	2.74
Electrical Q (Q_{es}):	3.86
Total Q (Q_{ts}):	1.6
Max. Impedance at resonance:	7.9 ohms

Frequency response at 2.83VRMS

