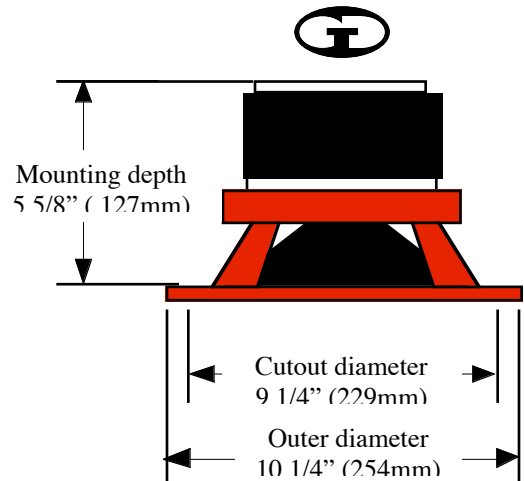


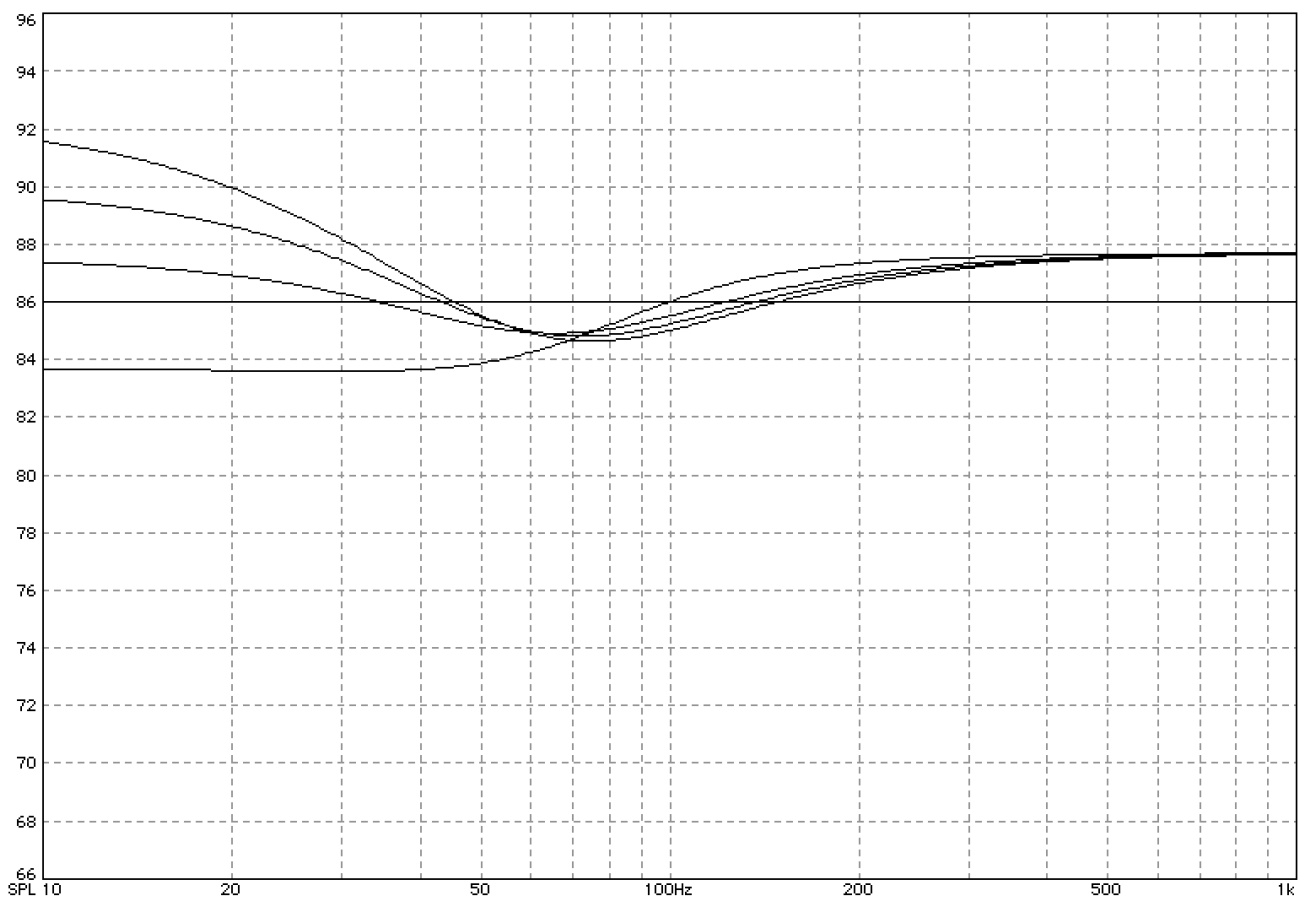
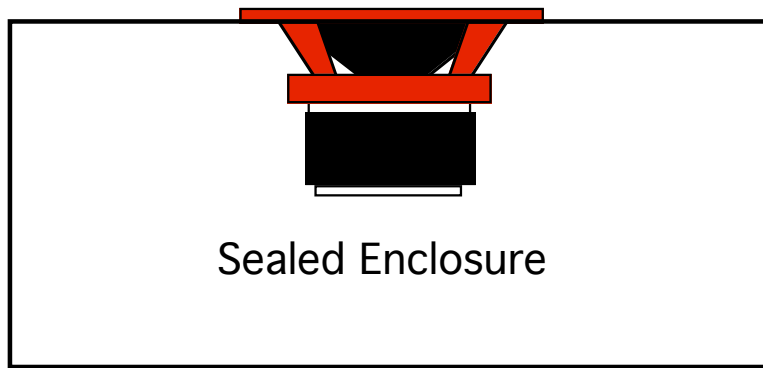
Specifications

Diameter:	10" (250mm)
Sensitivity:	88.4 dB
Power Handling:	500 WRMS (900W Pk)
Frequency Response:	10 ~ 400 Hz
Nominal Impedance:	4 Ohms
Voice Coil Diameter:	2.6" (66mm)
Peak Xmax:	15mm
Magnet Weight:	140 Oz stacked



Thiele-Small Parameters

Free Air Resonance:	28 Hz
Voice Coil DC Resistance:	3.4 ohms
Voice Coil Inductance @ 1 kHz:	1.9 mH
Mechanical Q (Q_{ms}):	6.5
Electrical Q (Q_{es}):	0.20
Total Q (Q_{ts}):	0.19
Compliance Volume (V_{as}):	36 l; 1.27 ft³
Moving mass, Diaphragm:	142 Gr
Motor Force Factor:	22.7 Tm



**Sealed Box Responses from top to bottom at 10Hz:
0.5, 0.35, 0.25, 0.15 cubic feet excluding driver displacement**