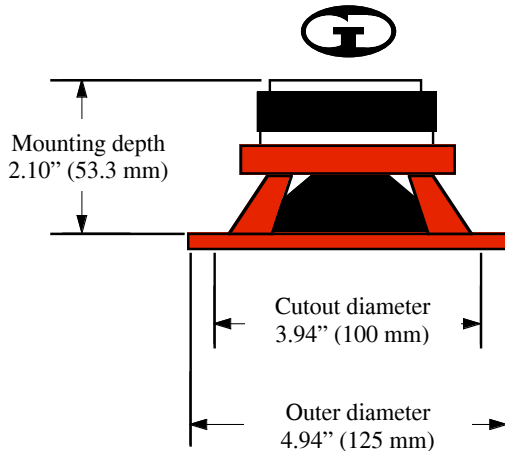


Specifications

Diameter: 4.0" (110mm)
Sensitivity: 90.1 dB
Power Handling: 50 Wrms (80W pk)
Frequency Response: 85 ~ 7000 hz
Nominal Impedance: 4 Ohms
Voice Coil Diameter: 1.0" (26mm)
Dimensions:



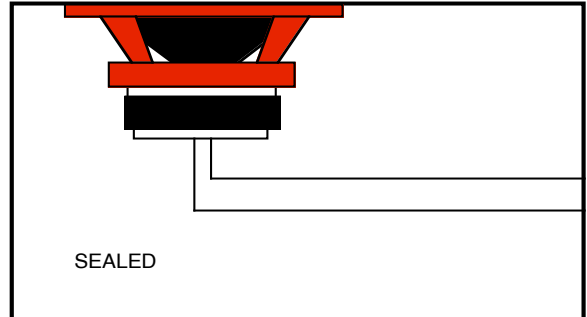
Thiele-Small Parameters

Free Air Resonance: 89.8 Hz
Voice Coil DC Resistance: 3.12 ohms
Voice Coil Inductance @ 1 kHz: 0.37 mH
Mechanical Q (Q_{ms}): 2.08
Electrical Q (Q_{es}): 0.51
Total Q (Q_{ts}): 0.41
Compliance Volume (V_{as}): 2.97 l
Compliance Volume (V_{as}): 0.105 ft³
Moving mass, Diaphragm: 5.19 Gr
Driver Radiating Area (S_d): 59 cm²
Driver Radiating Area (S_d): 9.14 in²
Motor Force Factor: 4.22 Tm

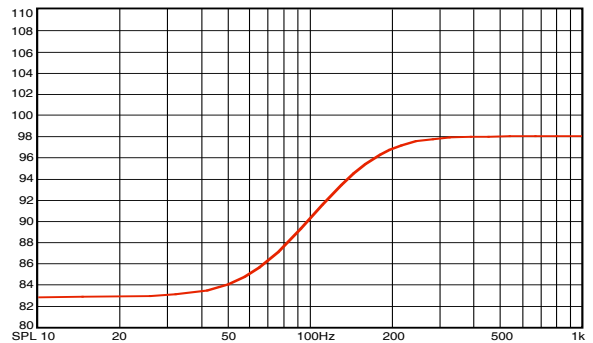
Note:

All sealed boxes greater than 0.05 cubic feet are allowable but with non-optimal bass response. Optimal setup for bass in a medium size cab is shown here.

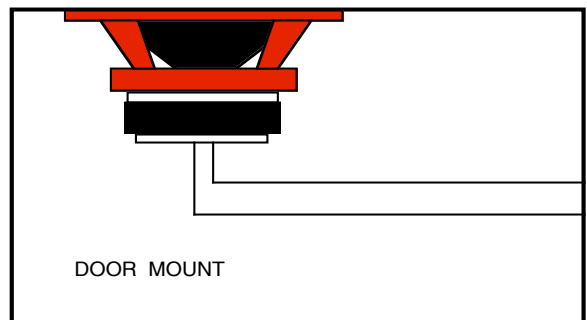
**Box Volume = 0.05 cu. Ft.
(1.42 liters) sealed**



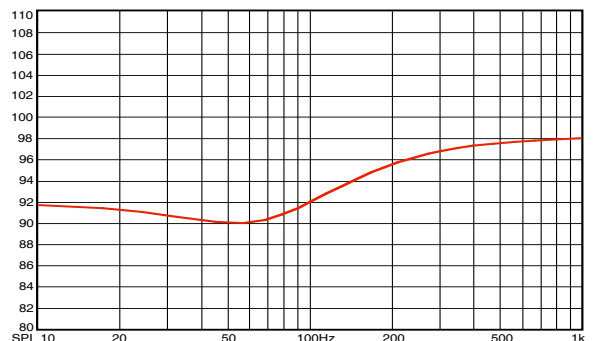
**Sealed Box
Frequency response @ 10 Watts**



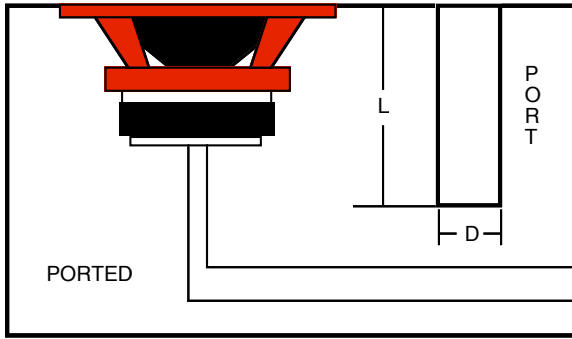
**Door Volume = 1.0cu. Ft.
(28.35 liters)**



**Door Mount
Frequency Response @ 10 Watts**



Box Volume = 0.15 cu. Ft. (4.25 liters)
Tuned to 85hZ Port = 1.5”d x 4.4”l



Ported Box
Frequency Response @ 10 Watts

